

**Dok**<sup>TM</sup>

# universal dual charger with cradle and alarm clock

## User's Guide

MODEL:  
CR09

**SCD**



- ▶ **Dual Charger**
- ▶ **Alarm Clock/FM Radio/  
Universal Cradle & Charger**



# Contents

---

Thank you for purchasing our product. For operation and security, read this manual carefully and keep it handy for future reference.

Contents.....	01
Features.....	01
Warnings and Precautions.....	02
Important Safety Instructions.....	03
What's in the Gift box.....	04
Location of Functions.....	05-07
Use the unit.....	08-12
Troubleshooting.....	13

## Features

---



- Dual USB Charger-Charge and/ or View Simultaneously
- Compatible Cradle for ALL Smart Phones and Tablets
  - Horizontal or Vertical
- Smart "SCD" Technology Recognizes and Charges ANY Smart Device
- Play Your Own Music from ANY Device through AUX IN Jack
- Clock with Alarm
- FM Radio

# Warnings and Precautions

---

**WARNING:** To reduce the risk of fire or electric shock, do not expose this apparatus to rain or moisture.

**CAUTION:** Use of controls or adjustments or performance of procedures other than those specified may result in hazardous radiation exposure.

## FCC Warnings

Warning: Changes or modifications to this unit not expressly approved by the party responsible for compliance could void the user's authority to operate the equipment.

NOTE: This equipment has been tested and found to comply with the limits for a Class B digital device, pursuant to Part 15 of the FCC Rules. These limits are designed to provide reasonable protection against harmful interference in a residential installation. This equipment generates, uses, and can radiate radio frequency energy and, if not installed and used in accordance with the instructions, may cause harmful interference to radio communications. However, there is no guarantee that interference will not occur in a particular installation. If this equipment

does cause harmful interference to radio or television reception, which can be determined by turning the equipment off and on, the user is encouraged to try to correct the interference by one or more of the following measures:

- Reorient or relocate the receiving antenna.
- Increase the separation between the equipment and receiver.
- Connect the equipment into an outlet on a circuit different from that to which the receiver is connected.
- Consult the dealer or an experienced radio/TV technician for help.

Battery shall not be exposed to excessive heat such as sunshine, fire or the like. (for once batteries could be used to operate apparatus and/or with battery operated remote control)

Location of label on the apparatus if that label was affixed under a lid or on the bottom of the apparatus with a mass not exceeding 7kg.

## MOISTURE AND CONDENSATION

If unit is exposed to moisture and extreme cold temperatures, then moved to a warm environment, condensation may form on internal components. Under these circumstances, powering the unit on may cause damage to the unit or cause harm to the user. Allow the unit to stand in a warm environment for 1 to 3 hours and allow the unit to air dry safely.

## WHEN IN USE

Do not use this unit in extremely hot, cold, dusty, or humid conditions.  
Do not restrict the air flow of the unit by placing it on carpet or covering.

## SAFETY

When connecting or disconnecting the AC cord, grip the plug and not the cord itself. Pulling the cord may damage it and create a hazard. When you are not going to use the unit for a long period of time, disconnect the AC cord.

# Important Safety Instructions

**1. Read these instructions.** All safety and operating instructions should be read before the product is operated.

**2. Keep these instructions.** The safety and operating instructions should be retained for future reference.

**3. Heed all warnings.** All warnings on the product and in the operating instructions should be adhered to.

**4. Follow all instructions.** All operating and use instructions should be followed.

**5. Water and Moisture.** Do not use this product near water. For example, near a bath tub, wash bowl, kitchen sink, or laundry tub; in a wet basement, or near a swimming pool or similar conditions. The apparatus shall not be exposed to dripping or splashing and that no objects filled with liquids, such as vases, shall be placed on or near this product.

**6. Cleaning.** Clean only with a dry cloth. Unplug this product from the wall outlet before cleaning. Do not use liquid cleaners or aerosol cleaners.

**7. Ventilation.** Slots and openings in the cabinet are provided for ventilation and to ensure reliable operation of the product and to protect it from overheating. These openings must not be blocked or covered. The openings should never be blocked by placing the product on a bed, sofa, rug, or other similar surface. This product should not be placed in a built-in installation such as a bookcase or rack unless proper ventilation is provided.

**8. Heat.** Do not install near any heat sources such as radiators, heat registers, stoves, or other devices that produce heat, including amplifiers.

**9. Grounding or Polarization.** (If applicable) Do not disable or circumvent the polarized or grounding type plug. A polarized plug has two blades with one wider than the other. A grounding type plug has two blades and a third grounding prong. The wide blade or the third prong is provided for your safety. If the provided plug does not fit into your outlet, consult an electrician for replacement of this outlet.

**10. Power Cord Protection.** Protect the power cord from being walked on, pinched, cut or damaged in any way. If any damage occurs, consult with a trained technician for repairs.

**11. Accessories.** Only use accessories specified and approved by the manufacturer. Do not place this product on an unstable cart, stand, tripod, bracket, or table not previously approved by the manufacturer. The product may fall causing serious injury to a child, adult or to the product itself. Any mounting of the product should be done within the manufacturer's guidelines.

**12. Transporting.** If a preapproved device is used to transport this product, caution and care must be observed and practiced to avoid damages. Make sure the device and product together are stable before moving.



PORTABLE  
CART  
WARNING

**13. Lightning.** Unplug this product and disconnect the antenna or cable system during lightning storms or when unused for long periods of time. This will help prevent damage to the product due to lightning and power line surges.

**14. Servicing.** Do not attempt to service this product yourself. Opening or removing covers may expose you to dangerous voltage or other hazards. Refer all servicing to a qualified service technician.

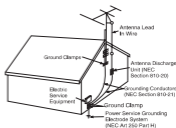
**15. Power Sources.** Only connect to the type of household power supply as indicated in the operating instructions and rating label. If you are not sure of the type of power supplied to your home, consult with local power company. For products intended to operate from battery power, or other sources, refer to the manufacturer's operating instructions.

**16. Overloading.** Do not overload wall outlets or extension cords. This can result in a risk of fire or electric shock.

**17. Foreign Material.** Protect this product from intrusion of any foreign substances like dirt, water, moisture and insects. Do not force any foreign materials or chemicals into this product. This could result in a risk of fire or electric shock.

**18. Replacement Parts and Safety Check.** When replacement parts are required, be sure the service technician has used replacement parts specified and approved by the manufacturer. Ask the service technician to perform safety checks to ensure proper operation to avoid possible fire, electric shock, or other hazards.

**19. Outdoor Antenna Grounding.** If an outside antenna or cable system is connected to the product, be sure the antenna or cable system is grounded so as to provide some protection against voltage surges and built-up static charges. If there's any doubt to the proper grounding of these systems, contact a qualified electrician to inspect your location.



**20. Wall or Ceiling Mounting.** The product should be mounted to a wall or ceiling only as recommended by the manufacturer.

**21. Disconnect Device.** Make sure all disconnect devices are in proper working condition and readily available in the event of an emergency or if power off is needed quickly.

**22. Protective Attachment Plug.** (If applicable) This product may be equipped with an attachment plug having overload protection. This is a safety feature. See Instruction Manual for replacement or resetting of this protective device. If replacement of the plug is required, be sure the qualified service technician has used a replacement plug specified by the manufacturer that has the same overload protection as the original plug.

**23. Power Lines.** An outside antenna system should not be located in the vicinity of overhead power lines or other electric light or power circuits, or where it can fall into such power lines or circuits. When installing an outside antenna system, extreme care should be taken to keep from touching such power lines or circuits as contact with them may be fatal. Always consult with your local power company before installing an outside antenna.

## What's in the Gift box?

---



CR07 Base Unit



1 Cradle Insert (For flat phones like SAMSUNG GALAXY II)



AC/DC Adaptor



Speaker (AUX in) Cable



User's Guide



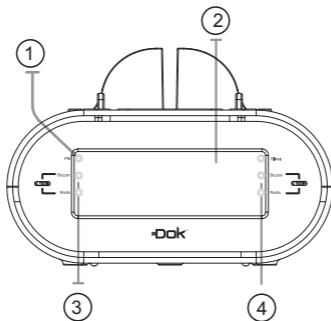
Warranty Card



"MICRO" Phone/  
Tablet Charging Cable

## Location of Functions

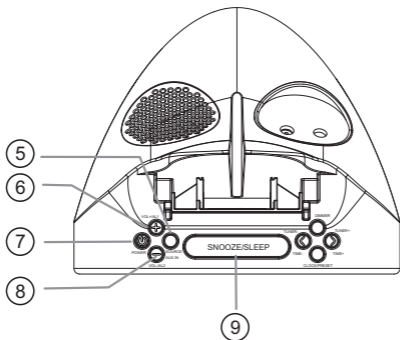
---



1. PM Indicator  
Lights when the time is in the PM.
2. LED Display
3. Alarm 1 Buzzer/ Radio Indicator  
Lights when the alarm 1 is on and set to buzzer or radio.
4. Alarm 2 Buzzer/ Radio Indicator  
Lights when the alarm 2 is on and set to buzzer or radio.

## Location of Functions

---

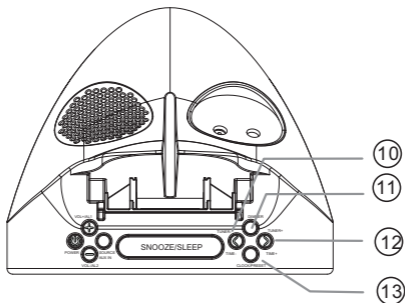


5. Press repeatedly to switch between Line in, FM Radio modes.
6. Volume+/AL1  
Press to increase the volume.  
Press and hold to begin setting Alarm 1.
7. Power ON/OFF
8. Volume-/AL2  
Press to decrease the volume.  
Press and hold to begin setting Alarm 2.
9. Snooze/Sleep  
Press to snooze the alarm after it sounds. In RADIO mode, Press repeatedly to set the sleep timer.



## Location of Functions

---

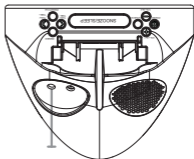
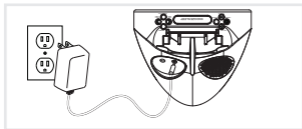


10. **TUNER-/TIME-**  
Press to tune the radio.  
Press to decrease the minute or hour when setting the clock or alarm.
11. **Dimmer**  
Press to dim the display.
12. **TUNER+/TIME+**  
Press to tune the radio.  
Press to increase the minute or hour when setting the clock or alarm.
13. **CLOCK/PRESET**  
In OFF mode, press and hold to begin setting the time.  
Press to preset stations.

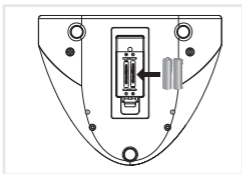
# Use the unit

## Power

Plug the included AC/DC power adapter (100-240V ~50/60Hz 3A max) into the DC POWER INPUT on the dock and an AC power outlet to power the dock.



Line Input



## Battery Back up

The battery backup is intended for short power outages only. The clock radio's primary functions cannot run off of the battery backup alone. Requires 2 AAA-size, batteries (not included)

## How to Charge Your Devices

### 1. iPhone/iPad or other phones stand.

Put them on your desk, table etc.



When placing a tablet or large device in the cradle, pull out the extendable board for stability and preventing the unit from falling over.

## Use the unit

---

2. Your smart device's shape will determine if an insert is needed. Use the insert for flat-bottom phones. Round-bottom phones do not need the insert;



### 3. Charging your iPhone/ iPad or other personal devices:

This unit provides USB ports for charging up to 2 device (Output power 5V 2.1A for tablet, phone & accessories and 5V 1A for phone & accessories).

Make sure the adaptor is connected to an active power, Connect your USB cable to your device then to the unit's appropriate USB port.



# Use the unit

---

## Clock and Sleep Timer

### Setting the Clock

1. If in standby mode, press and hold the CLOCK/PRESET to adjust mode.
2. When the display begins to blink, then release the button.
3. Press the TUNER-/TIME-&TUNER+/TIME+ button to adjust the hour.  
The PM indicator will light up when the hour is set in the PM.
4. Press the CLOCK/PRESET button to adjust the hour. (do the same to adjust minute).
5. Press the CLOCK/PRESET button to finish setting the time.

### Setting the Sleep Timer

1. Press the Snooze/Sleep button repeatedly to set the sleep timer (90, 80, 70, 60, 50, 40, 30, 20, 10 min or OFF).
2. Once the set sleep time has expired the clock radio will automatically power off.

## Listen to the Radio

### Tuning the FM Radio

1. Press POWER button to turn the clock radio on.
2. Press the TUNER+ and TUNER- buttons to adjust the radio to the desired frequency.
3. Press and hold TUNER+ and TUNER- buttons to search for the next available frequency.
4. Press the VOL+/VOL- buttons to adjust the volume.

### Saving a Station as a Preset

1. Follow the instructions for Tuning Radio.
2. Tune to the desired station.
3. Press and hold the CLOCK/PRESET button until P01 blinks, Press CLOCK/PRESET again to lock the current station to the P01;
4. Repeat 2 and 3 to save more stations in preset P02, P03, P04 ...up to P020.

## Use the unit

---

### Tuning to a Preset Radio Station

1. In the Radio mode, press CLOCK/PRESET to the preset mode;
2. Press TUNER-/TIME- and TUNER+/TIME+ to cycle through radio stations.

### line Input

#### Using the Line Input

Requires a 3.5mm audio cable (Included)

1. Connect a 3.5mm audio cable to the **Line Input** and the audio output on an Mp3 player or other audio device.
2. Press the **Source** to switch to line in mode.  
The display will show "AUX".
3. Use the native controls on the connected Mp3 player or other audio source to play your audio through the unit.  
When not in use, make sure to disconnect the 3.5mm audio cable(included).

### Alarm

#### Setting the Alarm

1. In the standby mode;
2. Press and hold VOL+/AL1 until the time is flashing;
3. Press TUNER-/TIME- and TUNER+/TIME+ to adjust the hour, Press VOL+/AL1 to move to adjust the minute, Press VOL+/AL1 to finish alarm time setting;
4. When the indicator light is come on, press TUNER-/TIME- and TUNER+/TIME+ to select the Alarm type(between Buzzer and Radio);
5. Press VOL+/AL1 to the Alarm volume mode;
6. Press TUNER-/TIME- and TUNER+/TIME+ to adjust the volume level;  
(Alarm1 and Alarm2 are setting the same way)

### Reviewing, Arming and Disarming Alarm

1. Alarms are automatically armed when set. Active alarms are indicated by alarm types on the display;
2. To review the alarm time, press and release the **ALARM** button once. The related wake to source and alarm time will show on the display;
3. Double click the related Alarm button to toggle it ON or OFF, if the alarm is armed, the alarm type will light up.

### Stop the Alarm

When the alarm is sounding, press the related Alarm button or the power button to stop it and reset it to next day.

### Snooze Operation

Default snooze time is 9 minutes. Press and release the **SNOOZE/SLEEP** after an alarm sounds. The alarm will be silenced for the snooze time then sound again. Snooze can be pressed several times.

# Troubleshooting

---

Symptom	Possible Problem	Solution
Unit does not turn on	AC adaptor does not plug into the wall socket and the other end is not plugged into the power supply jack at back of the unit	Plug the adaptor into a working wall socket and plug the connector into the supply jack on the unit
Unit doesn't respond	Unit requires a reset	If unit is plugged in and doesn't respond, try resetting following these steps: a) unplug unit from the power source b) remove back up batteries c) wait a few minutes, reinstall the batteries, then resume use
AUX IN sound is too low	System or your personal device volume setting is too low	Turn up the unit or your personal device volume
Sound is distorted	Volume level is set too high	Decrease the volume
	Sound source is distorted	If the smart phone/tablet or other device sound source is old or of poor quality, distortion and noise are easily noticed with high-power speakers. Try a different audio file from a trusted source.
FM band radio is very noisy	FM loop antenna isn't located properly	Move the FM loop antenna away from the main unit and rotate it for best reception
Alarm not working	AM/PM time/alarm time not set correctly	When setting clock or alarm time, take note of the AM/PM indicators
Plug in USB to smart device and does not charge	Charging cable is bad	Change charging cable

