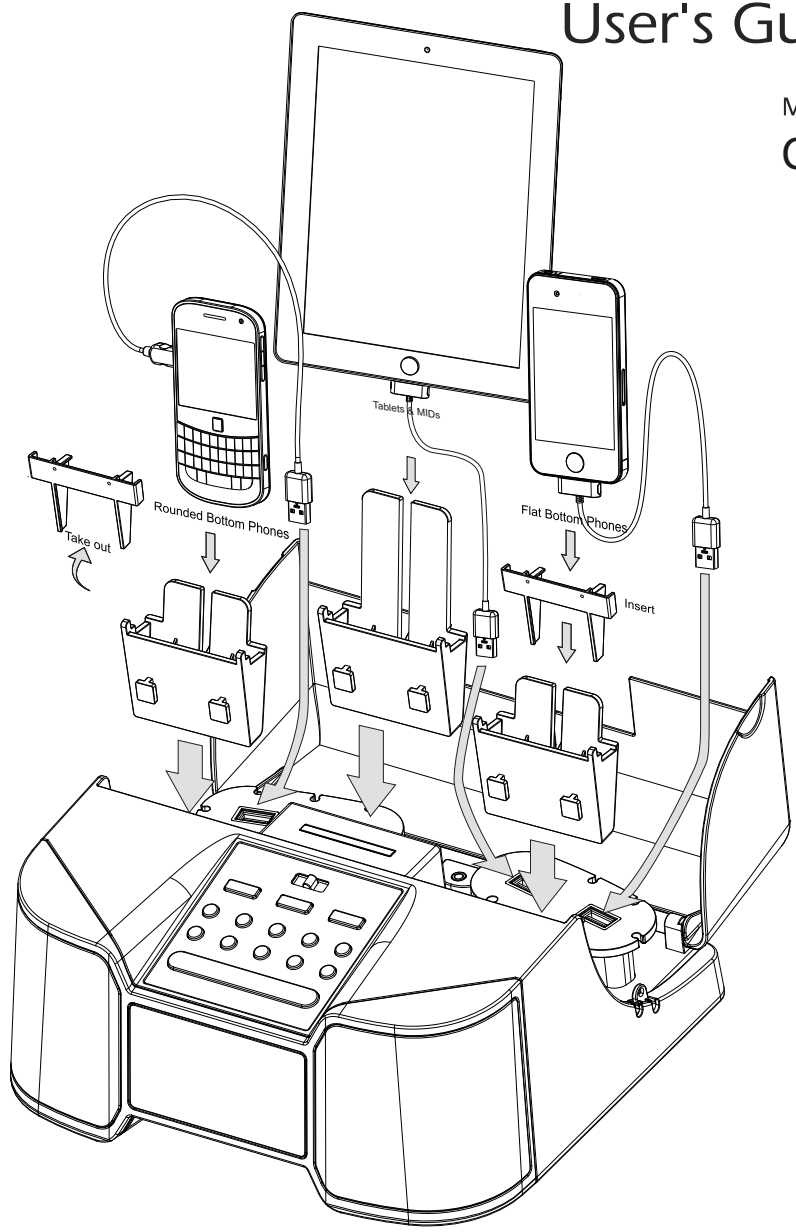


Universal Multi-Charging Station

User's Guide

MODEL:
CR32



- ▶ SCD (Smart Current Detection) Technology
- ▶ FM Clock Radio With Alarm

- ▶ Charge 4 Devices While Holding 3 in Cradles
- ▶ LED Night Light

Contents

Thank you for purchasing our product. For operation and security, read this manual carefully and keep it handy for future reference.

Contents.....	01
Features.....	01
Warnings and Precautions.....	02
Important Safety Instructions.....	03
Quick Start On Charging Your Device.....	04-09
What's in the Gift box.....	10
Location of Functions.....	11-12
Operations.....	13-16
Setting up the unit.....	13
Using the unit.....	13-16
Troubleshooting.....	17

Features



Charge any 4 portable devices at once

- **Features SCD Technology**

Smart Current Detection ensures proper device protection by adjusting the current flow needed to each device.

- **Charges 4 Devices, 3 in Cradles**

Charge any 4 devices, with capability of 3 standing upright, simultaneously.

- **FM Clock Radio Alarm**

Listen to FM radio or play music from your Smart device and still wake up with Alarm Clock.

- **LED Night Light**

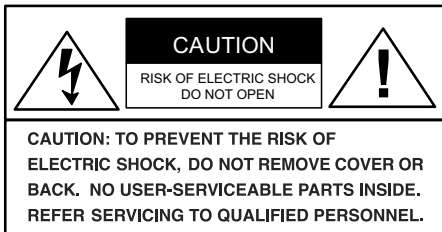
Note: Charges all smart phones and tablets of 5V from 0~2.1A.

Warnings and Precautions

WARNING: To reduce the risk of fire or electric shock, do not expose this apparatus to rain or moisture.

CAUTION: Use of controls or adjustments or performance of procedures other than those specified may result in hazardous radiation exposure.

***Caution Marking and rating plate was located at bottom enclosure of the apparatus**



This symbol is intended to alert you to the presence of uninsulated dangerous voltage within the product's enclosure that might be of sufficient magnitude to constitute a risk of electric shock. Do not open the product's case.



This symbol is intended to inform you that important operating and maintenance instructions are included in the literature accompanying this product.

Main plug is used to disconnect device and it should remain readily operable during intended use. In order to disconnect the apparatus from the mains completely, the mains plug should be disconnected from the mains socket outlet completely. (for apparatus with power cordset as disconnect device)

Battery shall not be exposed to excessive heat such as sunshine, fire or the like.

Location of label on the apparatus if that label was affixed under a lid or on the bottom of the apparatus with a mass not exceeding 7kg.

SAFETY

When connecting or disconnecting the AC cord, grip the plug and not the cord itself. Pulling the cord may damage it and create a hazard.

When you are not going to use the unit for a long period of time, disconnect the AC cord.

MOISTURE AND CONDENSATION

If unit is exposed to moisture and extreme cold temperatures, then moved to a warm environment, condensation may form on internal components. Under these circumstances, powering the unit on may cause damage to the unit or cause harm to the user. Allow the unit to stand in a warm environment for 1 to 3 hours and allow the unit to air dry safely.

WHEN IN USE

Do not use this unit in extremely hot, cold, dusty, or humid conditions.

Do not restrict the air flow of the unit by placing it on carpet or covering.

FCC Information

This device complies with part 15 of FCC Rules.

Operation is subject to the following two conditions:

- (1). This device may not cause harmful interference.
- (2). This device must accept any interference received, including interference that may cause undesirable operation.



Double insulation

This is class II apparatus



Important Safety Instructions

1. Read these instructions. All safety and operating instructions should be read before the product is operated.

2. Keep these instructions. The safety and operating instructions should be retained for future reference.

3. Heed all warnings. All warnings on the product and in the operating instructions should be adhered to.

4. Follow all instructions. All operating and use instructions should be followed.

5. Water and Moisture. Do not use this product near water. For example, near a bath tub, wash bowl, kitchen sink, or laundry tub; in a wet basement, or near a swimming pool or similar conditions. The apparatus shall not be exposed to dripping or splashing and that no objects filled with liquids, such as vases, shall be placed on or near this product.

6. Cleaning. Clean only with a dry cloth. Unplug this product from the wall outlet before cleaning. Do not use liquid cleaners or aerosol cleaners.

7. Ventilation. Slots and openings in the cabinet are provided for ventilation and to ensure reliable operation of the product and to protect it from overheating. These openings must not be blocked or covered. The openings should never be blocked by placing the product on a bed, sofa, rug, or other similar surface. This product should not be placed in a built-in installation such as a bookcase or rack unless proper ventilation is provided.

8. Heat. Do not install near any heat sources such as radiators, heat registers, stoves, or other devices that produce heat, including amplifiers.

9. Grounding or Polarization. (If applicable) Do not disable or circumvent the polarized or grounding type plug. A polarized plug has two blades with one wider than the other. A grounding type plug has two blades and a third grounding prong. The wide blade or the third prong is provided for your safety. If the provided plug does not fit into your outlet, consult an electrician for replacement of this outlet.

10. Power Cord Protection. Protect the power cord from being walked on, pinched, cut or damaged in any way. If any damage occurs, consult with a trained technician for repairs.

11. Accessories. Only use accessories specified and approved by the manufacturer. Do not place this product on an unstable cart, stand, tripod, bracket, or table not previously approved by the manufacturer. The product may fall causing serious injury to a child, adult or to the product itself. Any mounting of the product should be done within the manufacturer's guidelines.

12. Transporting. If a preapproved device is used to transport this product, caution and care must be observed and practiced to avoid damages. Make sure the device and product together are stable before moving.



PORTABLE
CART
WARNING

13. Lightning. Unplug this product and disconnect the antenna or cable system during lightning storms or when unused for long periods of time. This will help prevent damage to the product due to lightning and power line surges.

14. Servicing. Do not attempt to service this product yourself. Opening or removing covers may expose you to dangerous voltage or other hazards. Refer all servicing to a qualified service technician.

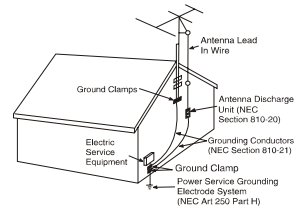
15. Power Sources. Only connect to the type of household power supply as indicated in the operating instructions and rating label. If you are not sure of the type of power supplied to your home, consult with local power company. For products intended to operate from battery power, or other sources, refer to the manufacturer's operating instructions.

16. Overloading. Do not overload wall outlets or extension cords. This can result in a risk of fire or electric shock.

17. Foreign Material. Protect this product from intrusion of any foreign substances like dirt, water, moisture and insects. Do not force any foreign materials or chemicals into this product. This could result in a risk of fire or electric shock.

18. Replacement Parts and Safety Check. When replacement parts are required, be sure the service technician has used replacement parts specified and approved by the manufacturer. Ask the service technician to perform safety checks to ensure proper operation to avoid possible fire, electric shock, or other hazards.

19. Outdoor Antenna Grounding. If an outside antenna or cable system is connected to the product, be sure the antenna or cable system is grounded so as to provide some protection against voltage surges and built-up static charges. If there's any doubt to the proper grounding of these systems, contact a qualified electrician to inspect your location.



20. Wall or Ceiling Mounting. The product should be mounted to a wall or ceiling only as recommended by the manufacturer.

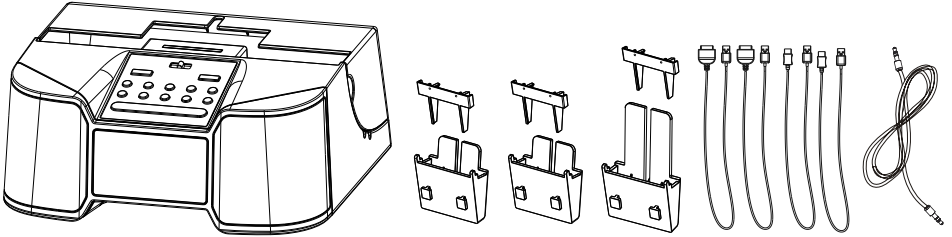
21. Disconnect Device. Make sure all disconnect devices are in proper working condition and readily available in the event of an emergency or if power off is needed quickly.

22. Protective Attachment Plug. (If applicable) This product may be equipped with an attachment plug having overload protection. This is a safety feature. See Instruction Manual for replacement or resetting of this protective device. If replacement of the plug is required, be sure the qualified service technician has used a replacement plug specified by the manufacturer that has the same overload protection as the original plug.

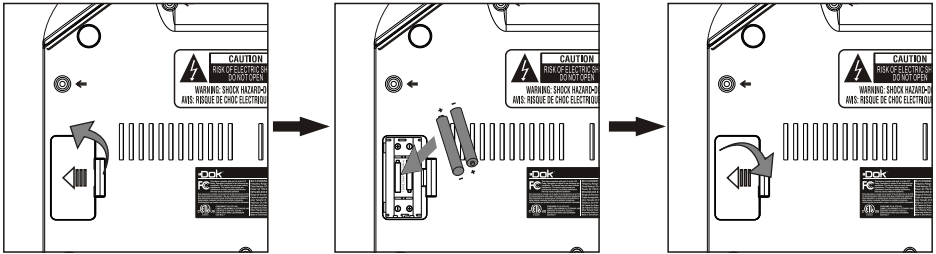
23. Power Lines. An outside antenna system should not be located in the vicinity of overhead power lines or other electric light or power circuits, or where it can fall into such power lines or circuits. When installing an outside antenna system, extreme care should be taken to keep from touching such power lines or circuits as contact with them may be fatal. Always consult with your local power company before installing an outside antenna.

Quick Start On Charging Your Device

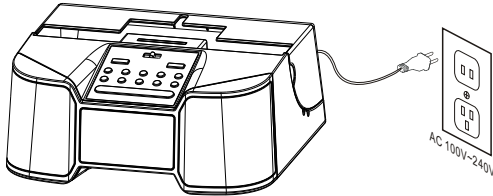
Remove items from package



Install 2pcs of AAA batteries

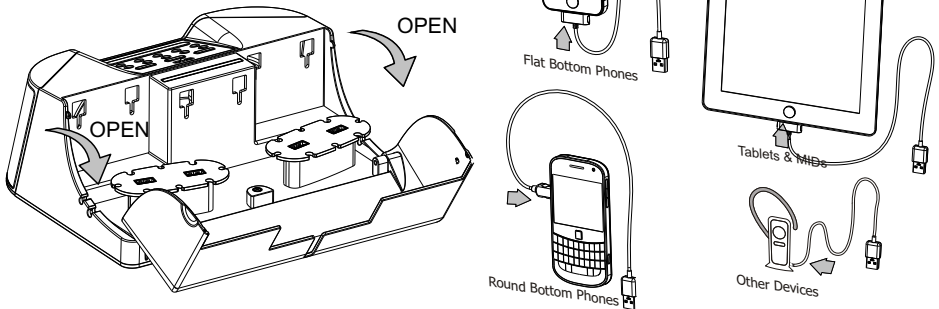


Connect unit to power outlet



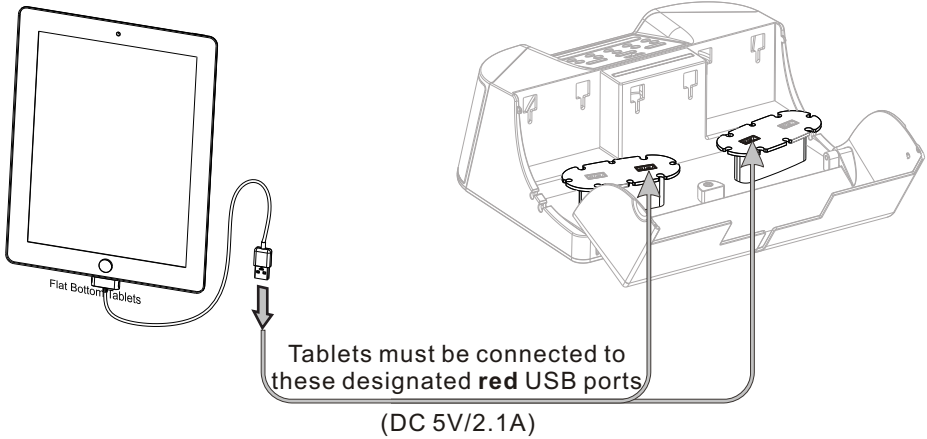
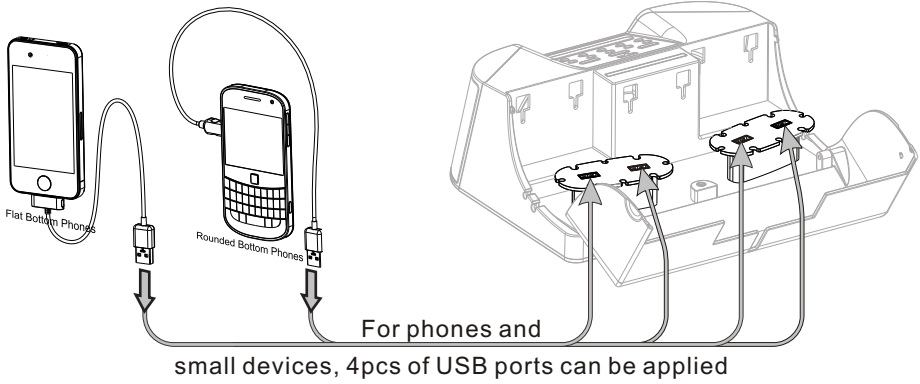
How to use the CR32 to charge your device

1. Connecting your devices and the unit;
 - a) Flip open back panel
 - b) Connect your device to a USB port

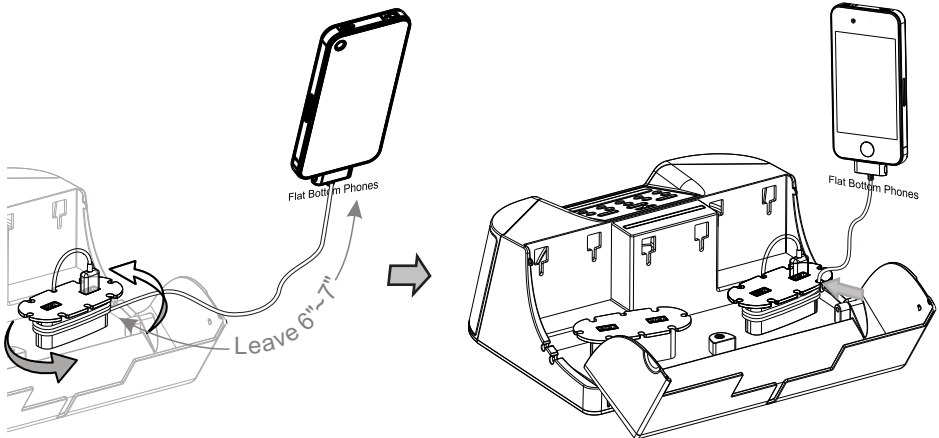


Quick Start On Charging Your Device

2. Connect your device to any of the 4 USB ports available

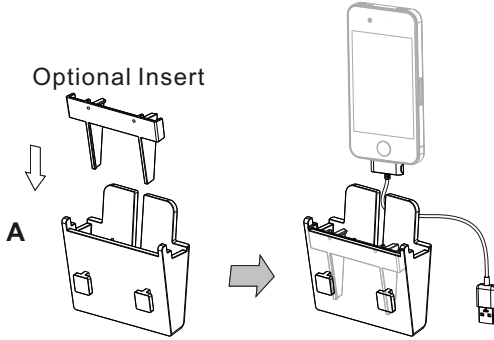


3. Wrap your cord:

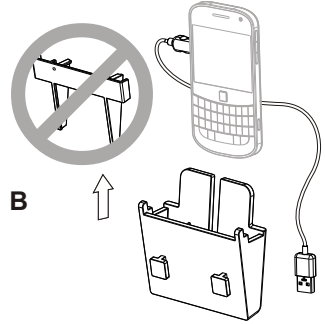


Quick Start On Charging Your Device

4. Your phone's shape will determine if an insert is needed. Use the insert for flat bottom phones. Round bottom phones do not need the insert.



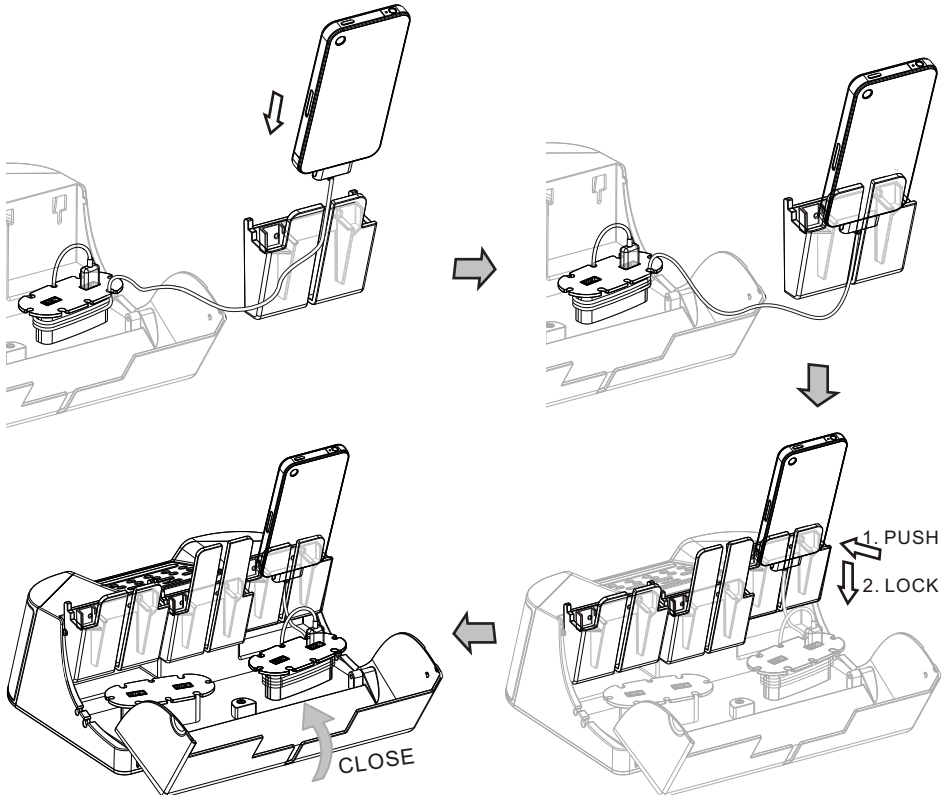
For FLAT bottom phones



For ROUND bottom phones

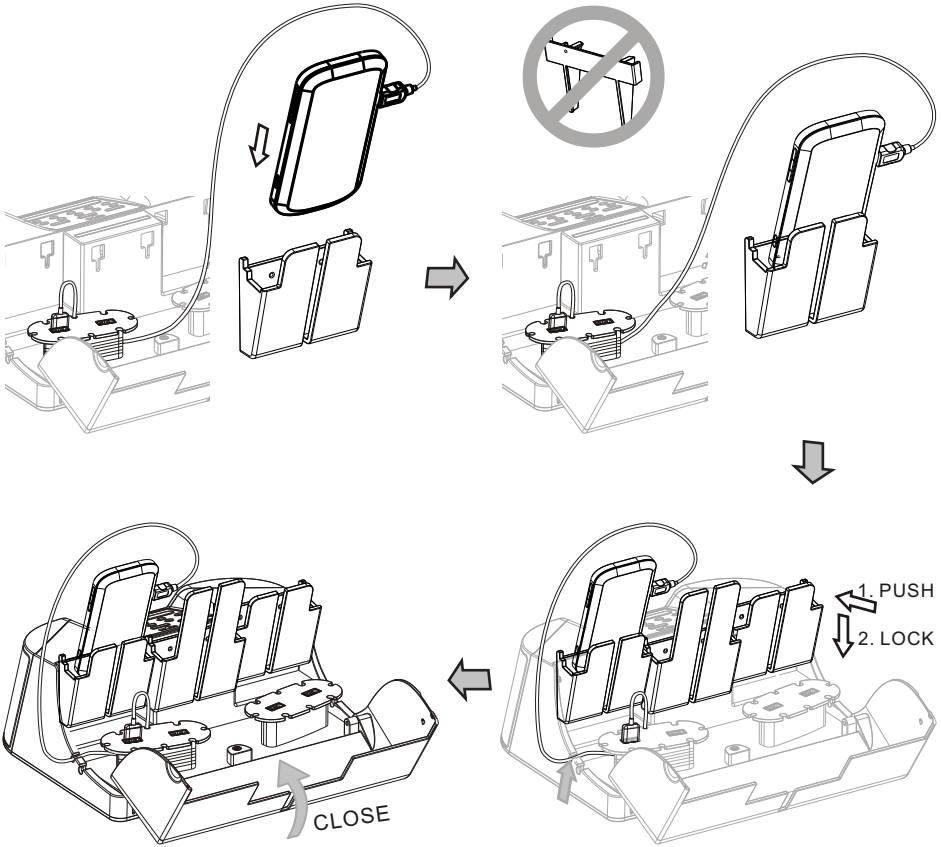
5. Wrap excess cable around cable organizer leaving enough cable to allow phone to be inserted into cradle.

a. For FLAT bottom phones

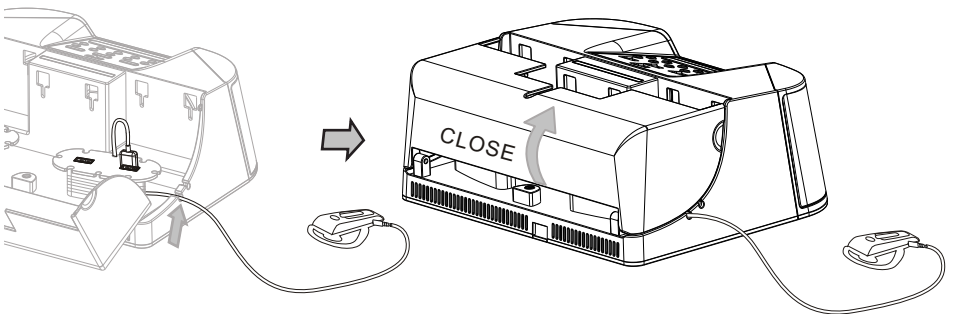


Quick Start On Charging Your Device

b. For ROUND bottom phones, take out the insert.



c. For other devices

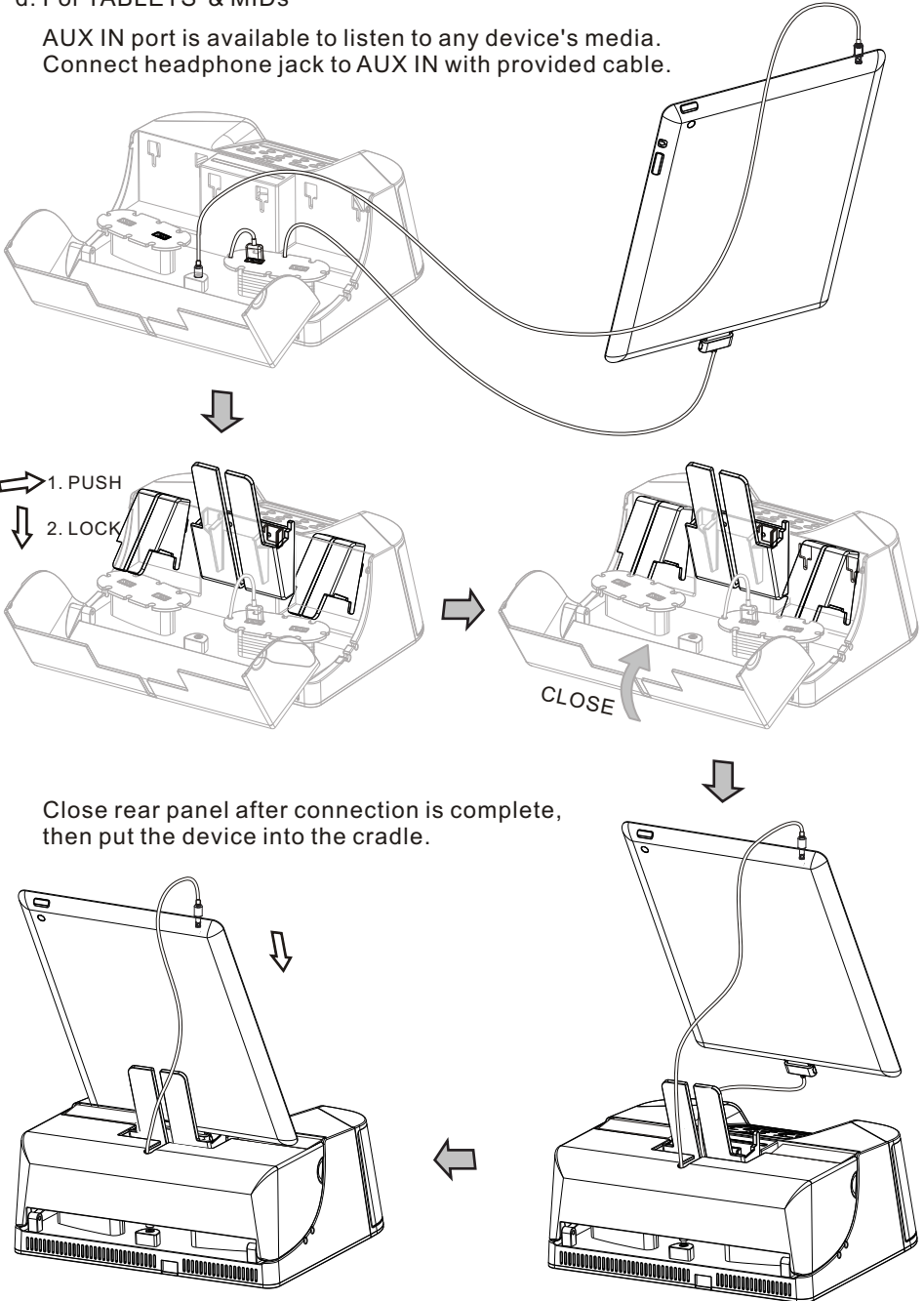


Quick Start On Charging Your Device

d. For TABLETS & MIDs

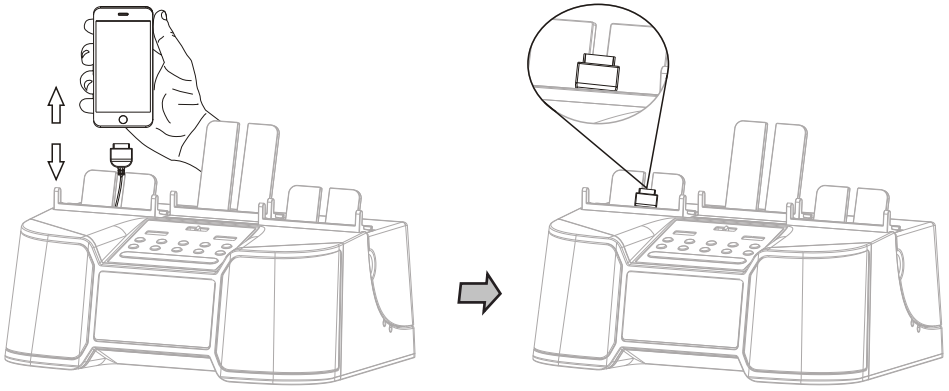
AUX IN port is available to listen to any device's media.
Connect headphone jack to AUX IN with provided cable.

AUX IN cable

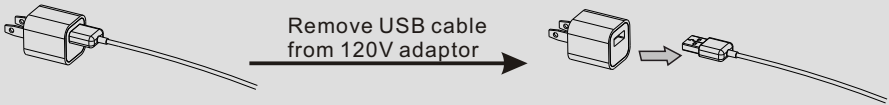


Quick Start On Charging Your Device

6. Disconnect and leave the USB cord for easy re-connection



If necessary, disconnect your USB cable from your existing smart phone power adaptor, then use the charging cable that comes with your phone.



NOTE: Old model phones may not come with a USB charging cable. Contact your phone's service provider or review the cables available in this catalog.

What's in the Gift box?



CR32 BASE UNIT



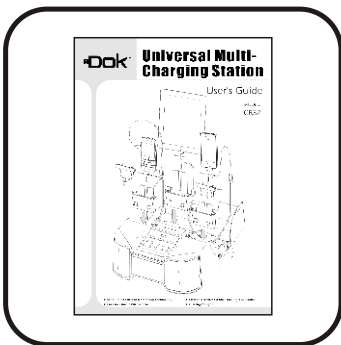
3 Device Cradles &
3 Cradle Inserts



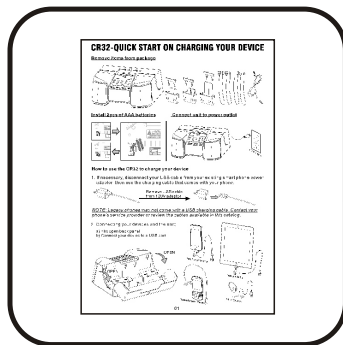
Speaker (AUX IN) Cable



USB Phone Charging Cable



User's Manual



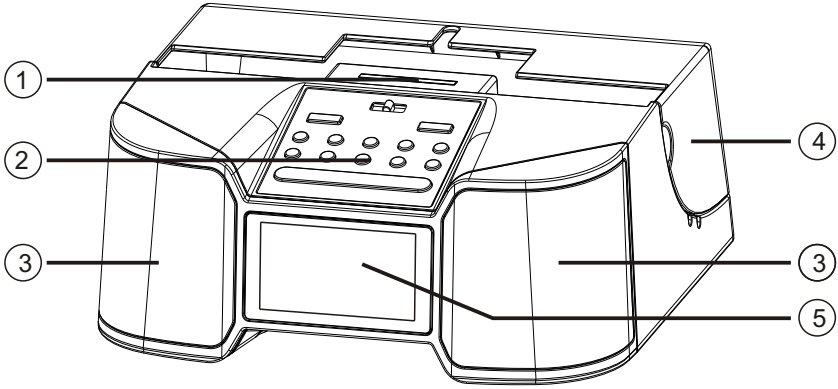
Quick Guide

Location of Functions

- 1. LED night light
- 4. Back Cover

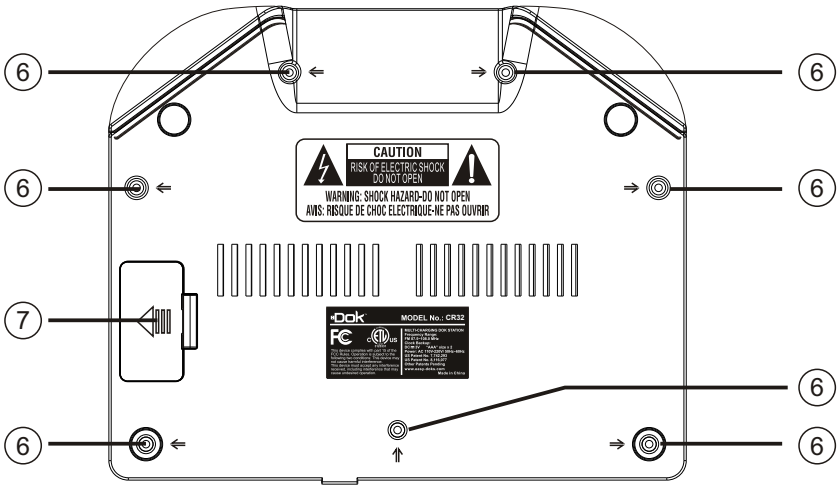
- 2. Function key panel
- 5. LCD display

- 3. Speakers



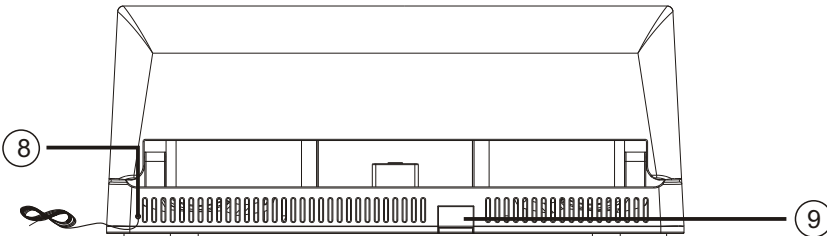
- 6. Holes and Nuts

- 7. Battery compartment



- 8. FM antenna

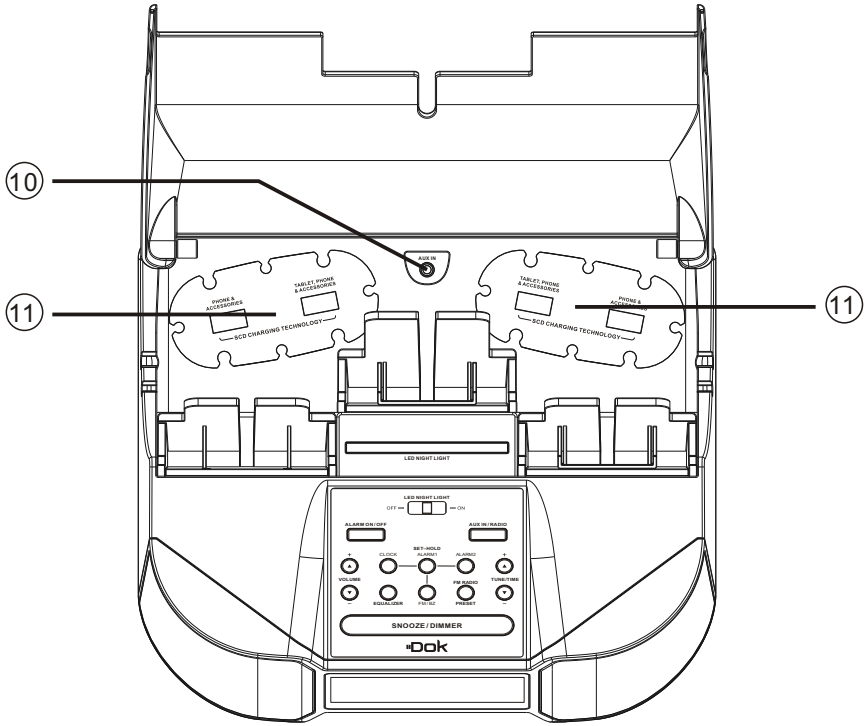
- 9. Power cord



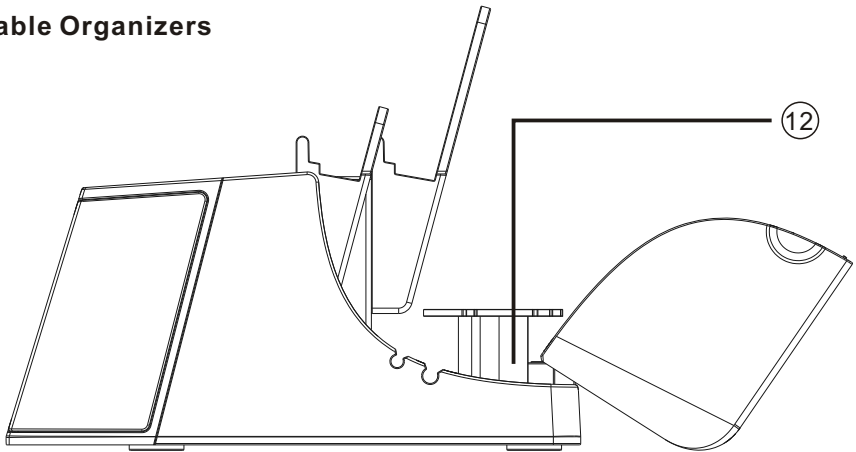
Location of Functions

10. AUX IN jack

11. USB charge ports(5V/2.1A)



12. Cable Organizers



Operations

SETTING UP THE UNIT

1. Install 2 AAA batteries (for backup only).
2. Plug the AC adaptor cable into a standard 120V AC wall socket. Adaptor is required to operate unit. Batteries are for backup only.
3. Time setting:
 - a. Press and hold **CLOCK** button, until the Time/(Hour) display begins flashing;
 - b. Press and release **TUNE/TIME +** or - to adjust Hours;
 - c. Press and release **CLOCK** button switch to Minute adjusts mode(when it flashing);
 - d. Do the same as hour adjusting(hold for faster setting).
 - e. Press and release **CLOCK** to finish setting.

USING THE UNIT

► Using the Alarms

This unit has a dual alarm system so you can set two separate alarms to different alarm times.

• Setting the Alarms

Note: Alarm 1 and Alarm 2 are set the same way.

1. Press and hold the **ALARM**(1 or 2) button until the alarm time flashes display;
2. Adjust the alarm time like clock setting;
3. Press and release **TUNE/TIME +** or - to adjust alarm volume.
4. Select FM(radio) or BZ (buzzer) by **FM/BZ** as an alarm tone;
5. Press and release the related alarm button to finish setting;
(you can see alarm icon shows on the display).

• Reviewing, Arming and Disarming Alarm(Turn Alarm function On and Off)

1. Alarms are automatically armed when set. Active alarms are indicated by alarm types on the display.
2. To review the alarm time, press and release the **ALARM** button once. The related wake to source and alarm time will show on the display.
3. Press and release the **ALARM ON/OFF** button once to toggle it on or off. If the alarm is armed, the alarm type will light up.

To Turn one of the alarms Off

1. Press and hold the related alarm button until it flashes on the display;
2. Skip the hour and minute adjust and go to the alarm tone type setting;
3. Press and release the **FM/BZ** to select alarm tone until no tone icon shows on the display.

• Stop the Alarms

When the alarm is sounding, press any key except the **VOLUME+** or - and **SNOOZE/DIMMER** to stop the alarm and reset it to next day.

(The BUZZER alarm will last one hour if you do not stop it; The RADIO alarm will not stop)

• Snooze Operation

Default snooze time is 9 minutes. Press and release the **SNOOZE/DIMMER** after an alarm sounds. The alarm will be silenced for the snooze time then sound again. Snooze can be pressed several times.

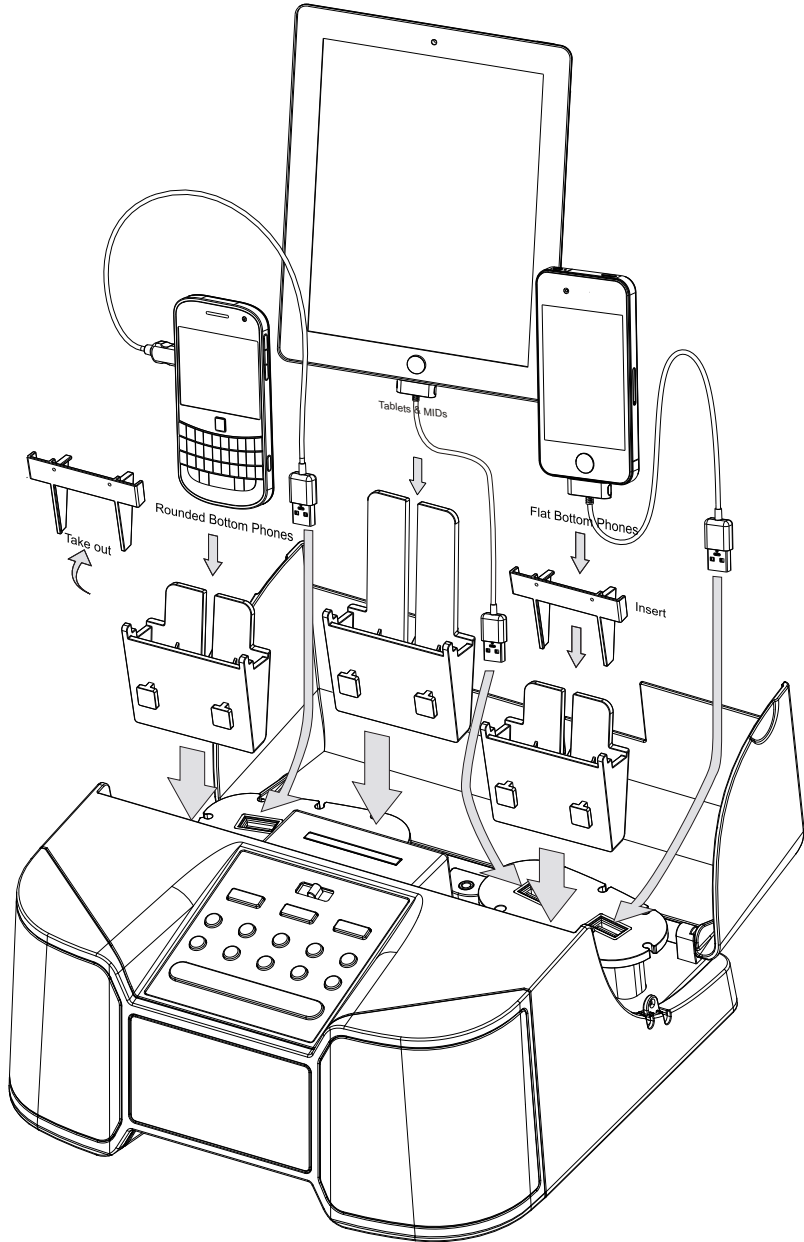
► Charging your smart devices or other personal devices:

USB ports are provided to charge up to 4 devices simultaneously. Connect the USB cable between your device and the unit. USB cable(s) are provided.

Operations

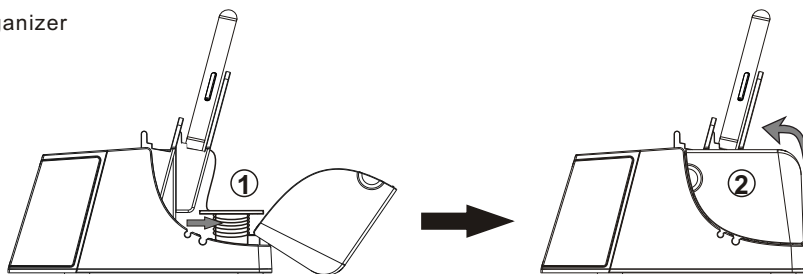
- **Smart devices stand:**

CR32 comes with 3 cradles for holding round bottom devices upright while charging. An insert for each cradle is provided to allow flat bottom devices to rest correctly in the cradle.



Operations

• Cable Organizer

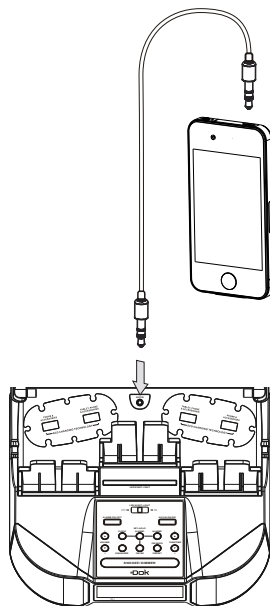


CR32 has 2 cable organizers on the rear of unit to help keep cables wrapped and neatly organized.

• Using the AUX IN Jack

AUX IN jack is provided to hear your device's audio through the unit speakers.

1. Using the 3.5mm cable provided, connect one end to your device's audio-out or headphone jack and the other end to the **CR32 AUX IN** jack on the rear of unit.
2. Press and release the **AUX IN/RADIO** button until **AUX** appears in the screen.
3. Turn on and play your device.
4. Press and release the **VOLUME +** or **-** to adjust the system volume. You may need to adjust the volume on your external device as well.
5. Press and release the **EQUALIZER** button as needed to select **CLASSIC**, **POP**, **JAZZ**, **R&B** and **ROCK**.
6. To turn off the music, just turn off your device and un-plug the **AUX IN** cable.



► Listening to Radio

• Setting up Antenna

Extend FM wire antenna fully for best reception. Do not strip, alter or attach to other antennas.

• Tuning and Playing the Radio

1. Press and release the **AUX IN/RADIO** button as needed to turn on the unit and cycle through **AUX IN**, **FM** and **TIME**.
2. When the desired **FM** mode is selected, press and release the **TUNE/TIME+** or **-** to tune the radio to a desired station. The current radio frequency appears in the display. Press and hold the **TUNE/TIME +** or **-** for a few seconds to scan for the next clear station.
3. You can set up to 10 presets.

Operations

To memorize a station as a preset.

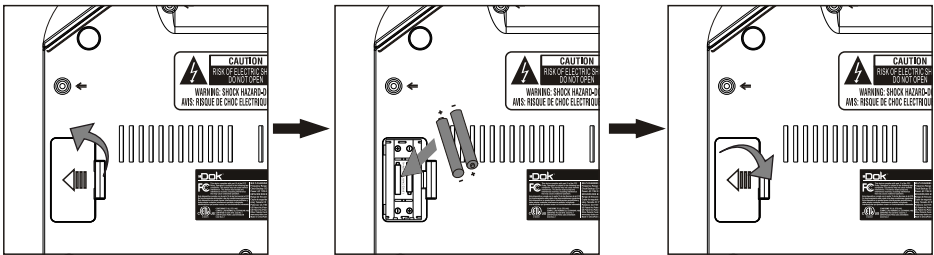
- A. Press and release the **FM RADIO PRESET** button as needed to step through the 10 presets(P01 –P10) to the number you wish to assign, and then hold the **FM RADIO PRESET** button until the selected preset number begins flashing in the display.
- B. Press and release the **TUNE/TIME +** or **-** to tune the radio to a desired station.
- C. Press and release the **FM RADIO PRESET** button to confirm the setting. Repeat A-C to preset up to 10 stations per band.

4. Press and release the **VOLUME +** or **-** to adjust the system volume. You may need to adjust the volume on your external device as well.
5. Press and release the **EQUALIZER** button as needed to select CLASSIC, POP, JAZZ, R&B and ROCK.

• Dimmer Operation

During normal operation (when no alarm is sounding). Press and release the **SNOOZE/DIMMER** button to control the brightness of the LCD display.

► Replacing the Backup Batteries



We recommend the use of alkaline batteries for longer life.

Insert 2 AAA alkaline (recommended) batteries to store alarm and clock settings in the event of power failure. As battery charge decreases, the display will become dimmer.

1. Open the battery compartment cover located on the bottom of the unit.
2. Please make sure the AC adaptor is connected, otherwise all settings may be lost during battery replacement.
3. Insert 2 AAA batteries, checking that the polarity(+ and - of the battery) , the – should hit the springs.
4. The tolerance of the clock is +/- 1 sec. per day.
5. Battery Warning

Do not mix with used or other battery types/brands

Replace all batteries at the same time

Do not open batteries

Do not dispose of in fire

Do not heat above 75°C

Do not expose contents to water

Do not charge or recharge

Do not install backwards

Troubleshooting

Symptom	Possible Problem	Solution
Unit does not turn on	AC adaptor does not plug into the wall socket and the other end is not plugged into the power supply jack at back of the unit	Plug the adaptor into a working wall socket and plug the connector into the supply jack on the unit
CR32 doesn't respond	CR32 requires a reset	If unit is plugged in and doesn't respond, try resetting following these steps: a) unplug unit from the power source b) remove back up batteries c) wait a few minutes, then resume use
AUX IN sound is too low	System or your personal device volume setting is too low	Turn up the unit or your personal device volume
Sound is distorted	Volume level is set too high	Decrease the volume
	Sound source is distorted	If the smart phone/tablet or other device sound source is old or of poor quality, distortion and noise are easily noticed with high-power speakers. Try a different audio file from a trusted source.
FM band radio is very noisy	FM loop antenna isn't located properly	Move the FM loop antenna away from the main unit and rotate it for best reception
Alarm not working	(AM)/PM time/alarm time not set correctly	When setting clock or alarm time, take note of the PM indicators
Tablet won't charge	Wrong USB port is plugged in	Only the center red USB port provides 5V/ 2.1A power for most of the tablet charging

ORDER FORM

ACCESSORY USB CHARGING CORDS

USB charging cords for pre-Smart Phone generations



AP Devices
Price: \$5.00
Sku: UCAP
Buy Now



Samsung/Tablet
Price: \$5.00
Sku: UC800
Buy Now



Mini USB
Price: \$5.00
Sku: UCMV3
Buy Now



Micro USB
Price: \$5.00
Sku: UCMV8
Buy Now

Make Checks or Money Orders Payable to: DOK Solution, LLC. Add \$3.00 S&H.

PLEASE PRINT CLEARLY

Name: _____

Address: _____

City: _____ State: _____ Zip: _____

Phone: _____

Email: _____

Brand of Phone: _____ Model No.: _____

Visa MasterCard Discover AMEX

CC# _____

Exp Date: ____ / ____ CVW (3 Digits) _____ Signature: _____