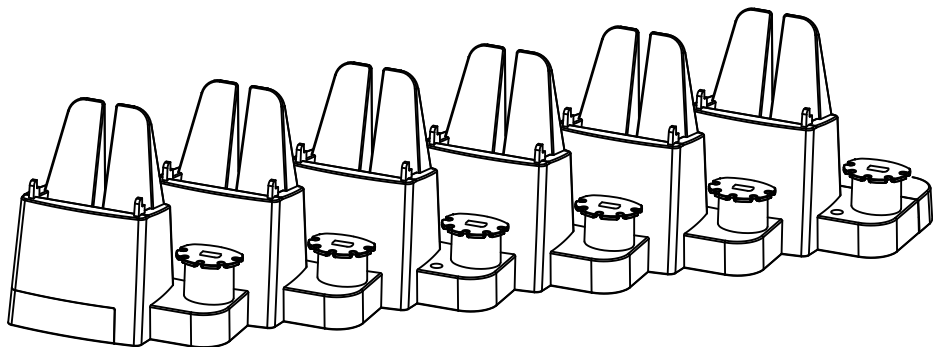




"Universal" MULTI-CHARGER 6 Port Commercial Charging station

User's Guide

MODEL:
CR60



- ▶ SCD (Smart Current Detection) Technology
- ▶ 6 PORTS UNIVERSAL CHARGING STATION

CONTENTS

Thank you for purchasing our product. For operation and security, read this manual carefully and keep it handy for future reference.

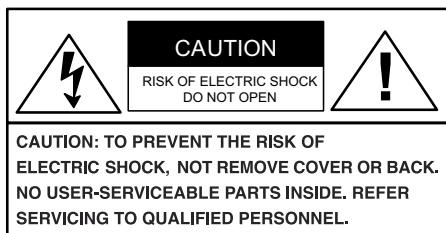
CONTENTS.....	01
WARNINGS AND PRECAUTIONS.....	02
IMPORTANT SAFETY INSTRUCTIONS.....	03
WHAT'S IN THE GIFT BOX.....	04
INTRODUCTION.....	05
LOCATION OF FUNCTIONS.....	06
GETTING PREPARED.....	07
TROUBLESHOOTING.....	08

WARNINGS AND PRECAUTIONS

WARNING: To reduce the risk of fire or electric shock, do not expose this apparatus to rain or moisture.

CAUTION: Use of controls or adjustments or performance of procedures other than those specified may result in hazardous radiation exposure.

***Caution Marking and rating plate was located at bottom enclosure of the apparatus**



This symbol is intended to alert you to the presence of uninsulated, dangerous voltage within the unit's enclosure that might be of a sufficient magnitude to constitute a risk of electric shock. DO NOT OPEN THE UNITS CASE.



This symbol is intended to inform you that important operating and maintenance instructions are included in the literature accompanying this product.

Main plug is used as disconnect device and it should remain readily operable during intended use. In order to disconnect the apparatus from the mains completely, the mains plug should be disconnected from the mains socket outlet completely. (for apparatus with power cordset as disconnect devices)

Battery shall not be exposed to excessive heat such as sunshine, fire or the like. (for once batteries could be used to operate apparatus and/or with battery operated remote control)

Location of label on the apparatus if that label was affixed under a lid or on the bottom of the apparatus with a mass not exceeding 7kg.

SAFETY

When connecting or disconnecting the AC cord, grip the plug and not the cord itself. Pulling the cord may damage it and create a hazard.

When you are not going to use the unit for a long period of time, disconnect the AC cord.

MOISTURE AND CONDENSATION

If unit is exposed to moisture and extreme cold temperatures, then moved to a warm environment, condensation may form on internal components. Under these circumstances, powering the unit on may cause damage to the unit or cause harm to the user. Allow the unit to stand in a warm environment for 1 to 3 hours and allow the unit to air dry safely.

WHEN IN USE

Do not use this unit in extremely hot, cold, dusty, or humid conditions.

Do not restrict the air flow of the unit by placing it on carpet or covering.

FCC Information

This device complies with part 15 of FCC Rules.

Operation is subject to the following two conditions:

- (1). This device may not cause harmful interference.
- (2). This device must accept any interference received, including interference that may cause undesirable operation.



Double insulation.
This is a Class II apparatus.



IMPORTANT SAFETY INSTRUCTIONS

1. Read these instructions. All safety and operating instructions should be read before the product is operated.

2. Keep these instructions. The safety and operating instructions should be retained for future reference.

3. Heed all warnings. All warnings on the product and in the operating instructions should be adhered to.

4. Follow all instructions. All operating and use instructions should be followed.

5. Water and Moisture. Do not use this product near water. For example, near a bath tub, wash bowl, kitchen sink, or laundry tub; in a wet basement, or near a swimming pool or similar conditions. The apparatus shall not be exposed to dripping or splashing and that no objects filled with liquids, such as vases, shall be placed on or near this product.

6. Cleaning. Clean only with a dry cloth. Unplug this product from the wall outlet before cleaning. Do not use liquid cleaners or aerosol cleaners.

7. Ventilation. Slots and openings in the cabinet are provided for ventilation and to ensure reliable operation of the product and to protect it from overheating. These openings must not be blocked or covered. The openings should never be blocked by placing the product on a bed, sofa, rug, or other similar surface. This product should not be placed in a built-in installation such as a bookcase or rack unless proper ventilation is provided.

8. Heat. Do not install near any heat sources such as radiators, heat registers, stoves, or other devices that produce heat, including amplifiers.

9. Grounding or Polarization. (If applicable) Do not disable or circumvent the polarized or grounding type plug. A polarized plug has two blades with one wider than the other. A grounding type plug has two blades and a third grounding prong. The wide blade or the third prong is provided for your safety. If the provided plug does not fit into your outlet, consult an electrician for replacement of this outlet.

10. Power Cord Protection. Protect the power cord from being walked on, pinched, cut or damaged in any way. If any damage occurs, consult with a trained technician for repairs.

11. Accessories. Only use accessories specified and approved by the manufacturer. Do not place this product on an unstable cart, stand, tripod, bracket, or table not previously approved by the manufacturer. The product may fall causing serious injury to a child, adult or to the product itself. Any mounting of the product should be done within the manufacturer's guidelines.

12. Transporting. If a preapproved device is used to transport this product, caution and care must be observed and practiced to avoid damages. Make sure the device and product together are stable before moving.



PORTABLE
CART
WARNING

13. Lightning. Unplug this product and disconnect the antenna or cable system during lightning storms or when unused for long periods of time. This will help prevent damage to the product due to lightning and power line surges.

14. Servicing. Do not attempt to service this product yourself. Opening or removing covers may expose you to dangerous voltage or other hazards. Refer all servicing to a qualified service technician.

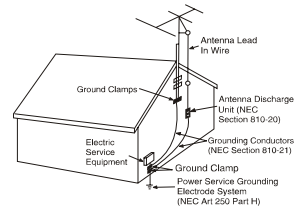
15. Power Sources. Only connect to the type of household power supply as indicated in the operating instructions and rating label. If you are not sure of the type of power supplied to your home, consult with local power company. For products intended to operate from battery power, or other sources, refer to the manufacturer's operating instructions.

16. Overloading. Do not overload wall outlets or extension cords. This can result in a risk of fire or electric shock.

17. Foreign Material. Protect this product from intrusion of any foreign substances like dirt, water, moisture and insects. Do not force any foreign materials or chemicals into this product. This could result in a risk of fire or electric shock.

18. Replacement Parts and Safety Check. When replacement parts are required, be sure the service technician has used replacement parts specified and approved by the manufacturer. Ask the service technician to perform safety checks to ensure proper operation to avoid possible fire, electric shock, or other hazards.

19. Outdoor Antenna Grounding. If an outside antenna or cable system is connected to the product, be sure the antenna or cable system is grounded so as to provide some protection against voltage surges and built-up static charges. If there's any doubt to the proper grounding of these systems, contact a qualified electrician to inspect your location.



20. Wall or Ceiling Mounting. The product should be mounted to a wall or ceiling only as recommended by the manufacturer.

21. Disconnect Device. Make sure all disconnect devices are in proper working condition and readily available in the event of an emergency or if power off is needed quickly.

22. Protective Attachment Plug. (If applicable) This product may be equipped with an attachment plug having overload protection. This is a safety feature. See Instruction Manual for replacement or resetting of this protective device. If replacement of the plug is required, be sure the qualified service technician has used a replacement plug specified by the manufacturer that has the same overload protection as the original plug.

23. Power Lines. An outside antenna system should not be located in the vicinity of overhead power lines or other electric light or power circuits, or where it can fall into such power lines or circuits. When installing an outside antenna system, extreme care should be taken to keep from touching such power lines or circuits as contact with them may be fatal. Always consult with your local power company before installing an outside antenna.

WHAT'S IN THE GIFT BOX:



CR60



X 6pcs

6 Cradle Inserts



User Manual



X 6pcs

6 popular assorted cables



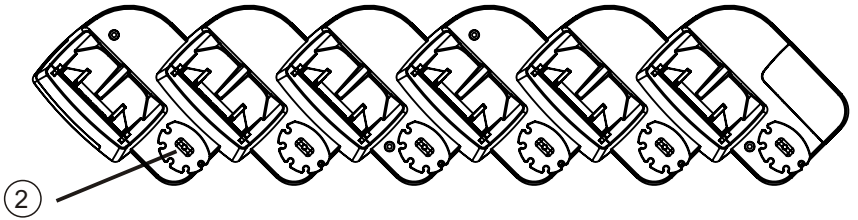
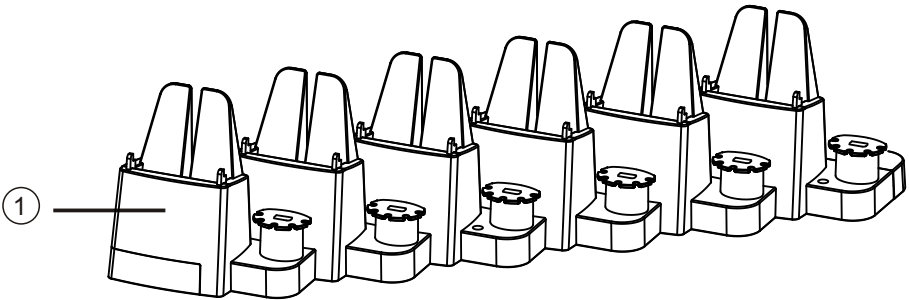
Warranty Card

*Charges all phones, iPod, iPads, iPhones, Galaxy, Blackberry. iPod®/iPhone®/Galaxy/BlackBerry/Head set/Game player not included. iPod®/iPhone® are a registered trademark of Apple Computer, Inc. Galaxy™ is a registered trademark of SAMSUNG Electronics co.,Ltd. Blackberry® is a registered trademark of Research In Motion Ltd. All rights reserved.

INTRODUCTION

What if you have multiple devices that need to be charged at the same time? Easily store, charge and manage 6 smart devices (phones and tablets) with the "Dok CR60 "Universal"Multi-Charger 6 Port Commercial Charging Station. We have designed this system to include staggered USB Ports so that you can gain easy access to your devices and other peripherals for your business and/or organization. The "Smart Current Detection" (SCD) Technology recognizes and adjusts for each individual devices required amperage/current, without overcharging. Each of the 6 USB Charging Ports can handle up to 5V 2.1 amps of current. The "Dok CR60" is designed for multiple "commercial" environments. This unit is great for hotels, restaurants, schools and any location that makes use of a smart device system. It is a next-generation "smart" charging system that will organize and keep secure up to 6 smart devices.

LOCATION OF FUNCTIONS:



1. Main unit

Made with high quality ABS plastic for strength and durability.

2 USB charging ports

6 Staggered - Each USB Port provides 5V 2.1A of current that will charge most smart devices (phones and tablets).

GETTING PREPARED

4. Connect the charging cables to the USB Ports. Connect the smart devices to the charging cables .



5. The "Smart Current Detection" (SCD) Technology recognizes and adjusts for each individual devices required amperage/current, without overcharging. Each of the 6 USB Charging Ports can handle up to 5V 2.1 amps of current.

6. Unplug each smart device, once their batteries are at a full charge.



TROUBLESHOOTING

SYMPTOM	POSSIBLE PROBLEM	SOLUTION
CR60 Unit does not turn on:	Power cord does not fit properly into the wall socket.	Plug the power cord into a working wall socket.
Smart Device (phone or tablet) won't charge:	The device required more than 5V/2.1A power	Use your origin charger to charge. <i>(our CR60 power can not meet any power higher than 5V/2.1A)</i>
	Charging cord is broken.	Replace broken cord with an unbroken one.

Specifications

Power System

AC Input:AC110V/60Hz

DC Output: 5.0V/2100mA (for 1-6 x USB)

CR60 Physical Dimensions

Length:640 mm(25.1inches)

With: 162mm(6.37inches)

Height: 165 mm(6.5inches)

Optional charging cable selections

Environmental Temperature range

Operating: 0 to 30°C (32°to 86°F)

Storage: -40 to 65°C (32°to 149°F)

Relative humidity

Operating 10%-90%(non condensing)

Storage 5%-95% (non condensing)

