

## User's Guide

### Professional UHF Wireless Microphone

MODEL:  
WM900



Before operating this product, please read these instructions.

## Introduction

Thank you for purchasing our 900 MHz Professional UHF (Ultra High Frequency) Wireless Microphone. This is a PLL (Phase Locked Loop) synthesized wireless microphone utilizing a 16 Bit Digital Pilot ID that quickly pairs frequencies and prevents drifting between multiple transmitters (microphones) and receivers. Our microphones will lock in up to 20 unique channels without them walking on each other or interference. Connect up to 20 wireless microphones for your orchestra, band or stage theatrical performances. Please read this guide carefully to get maximum performance and functionality.

## Items in this package



WM900 Microphone



Receiver



User's Guide x 1



Warranty Card x 1



USB Charging Cable



Antiskid sleeve

## FCC Statements

This device complies with part 15 of the FCC Rules. Operation is subject to the following two conditions:

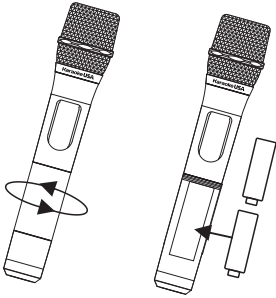
1. This device may not cause harmful interference, and
2. This device must accept any interference received, including interference that may cause undesired operation.

Notice: Changes or modifications not expressly approved by the party responsible for compliance could void the user's authority to operate the equipment.

## Quick Start Guide:

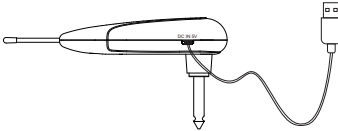
### **A. Microphone - Loading Batteries**

Hold microphone body and turn the lower part of the microphone body counter-clockwise. Insert 2 x AA batteries (not included) into battery compartment. Make sure battery positions match polarity signs for proper installation.



### **B. Receiver - Charging and Use**

1. This Receiver has a built-in Rechargeable Lithium-ion Battery. Make sure battery is fully charged for about 1 hours with the provided USB charging cable. A fully charged receiver allows for up to 6 hours of normal use.

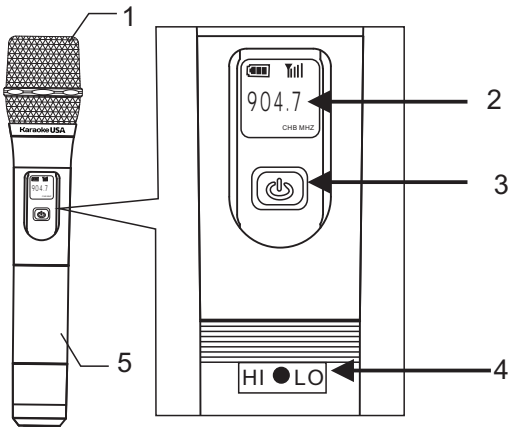


2. Insert the 6.3 mm (1/4 inch) male end into your microphone jack on your karaoke machine, amplifier or electrical component.
3. Slide the On/Off Switch at the side of the Receiver to on. The blue indicator will light up.

When singing, adjust your equipment's microphone volume level to a comfortable level. If you experience feedback from your equipment, lower microphone volume or move microphone away from speaker(s).

# Index

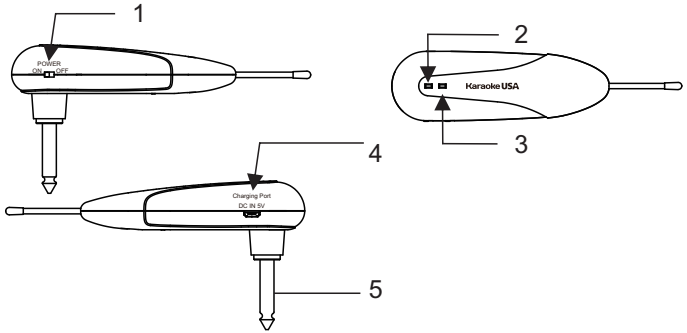
## A. Transmitter ( Wireless Microphone)



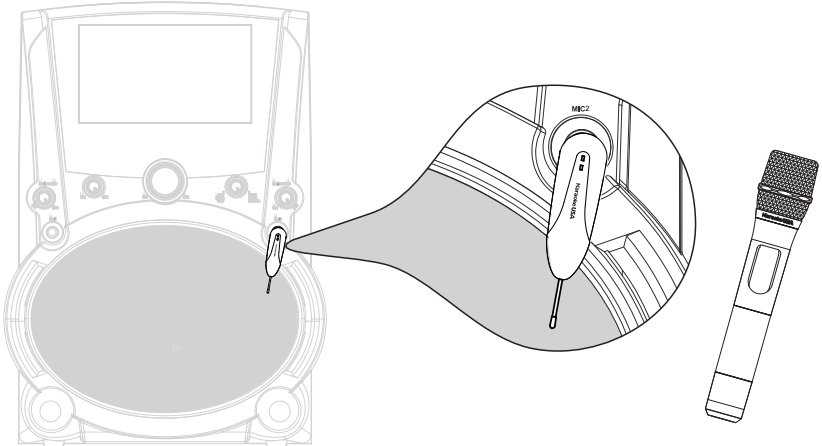
1. Microphone grill protects inner microphone cartridge from potential damage. Take care when handling microphone to prevent physical damage. **DO NOT** allow microphone to drop on floor. Any sudden shock can damage delicate components.
2. Microphone LED window displays a battery icon that will flash when fresh batteries need to be inserted. The number icon reflects the frequency channel being used.
3. Power On/Off - Press once to turn on the Microphone. Depress and Hold to switch off.
4. Channel Frequency Select Button - Press this button to change the current frequency channel and select another.
5. Battery compartment cover - rotate counter-clockwise to open compartment and insert 2 x AA batteries (alkaline or rechargeable). Batteries not included. Match polarity when installing batteries.

## B. Receiver

This Receiver has a built-in Rechargeable Lithium-ion Battery. Make sure battery is fully charged for about 1 hours with the provided USB charging cable. A fully charged receiver allows for up to 6 hours of usage.



1. Power On/Off - slide the On/Off Switch at the side of the Receiver to on.
2. When powered on, a blue LED light will be constantly on. When blue LED light flashes and gets dimmer, it indicates the internal rechargeable battery needs to be recharged.
3. Signal indicator light will reflect a constant on green LED light. When speaking into the microphone, a red light will flash. In pairing mode, when paired successfully, the green LED light will flash 4 times.
4. Micro USB port is used to charge the internal battery.
5. Signal output stud is a standard 6.3mm plug that will match most any karaoke or amplifier equipment.



## **UHF Frequency Channels**

This microphone has a total of 20 selectable frequency channels. This allows the user to select a different frequency if by chance there is an external frequency issue causing problems.

### **Available Frequency Channels Include**

902.3, 903.4, 904.70, 906.0, 907.3, 908.6, 909.9, 911.2, 912.5, 913.8, 915.1, 916.4, 917.7, 919.0, 920.3, 921.6, 922.9, 924.2, 925.5, 926.8

### **Care and Safety for Your Microphone**

- Do not allow microphone or receiver to get wet.
- Do not allow microphone to drop on floor, bump against hard objects or get exposed to vibrations.
- Keep away from heat sources like direct sunlight, radiators, appliances, amplifiers, etc.
- Avoid dirt, dust and contaminants.
- Remove batteries from microphone body when not being used to prevent damage from potential battery leakage.
- Do not throw batteries into a fire, garbage bin or domestic rubbish. Dispose of properly per your local ordinances.

## **Product Specifications:**

### **A. UHF Wireless Microphone**

FCC Specified Frequency Range : 902MHz ~ 928Mhz

Available Frequency Channels Include

902.3, 903.4, 904.70, 906.0, 907.3, 908.6, 909.9, 911.2, 912.5, 913.8, 915.1, 916.4, 917.7, 919.0, 920.3, 921.6, 922.9, 924.2, 925.5, 926.8

FCC-ID No.: 2APNKWM900

Modulation System : DQPSK

Frequency Response : 60Hz ~ 16KHz

Transmitted Power : 10 dBm

Battery Type : 2 x AA ( 3V)

Battery Current :  $\leq$  100mA

### **B. Receiver**

Frequency Range : 902MHz ~ 928Mhz

Receiving Sensitivity : - 105 dBm

Battery Type : Lithium-Ion Rechargeable: 450 mAh

Working Current : Current :  $\leq$ 100mA

## Trouble Shooting

SYMPTOM	PROBLEM	SOLUTION
No sound	Microphone or receiver is OFF	Turn ON both of them
	Volume setting too low on Amplifier	Adjust the volume up on the amplifier or Karaoke machine
	Microphone and receiver not paired	Re-pair them (refer to below * )
Sound interference	interference comes from othe wireless microphone, TV, Micro-wave oven radio ... etc.	Change to another frequency

### \* Re-pair

If there is no connection between the microphone and receiver, you'll need to re-pair them.

1. Turn off the receiver;
2. Select your desired frequency by press HI-LO button, then switch off the microphone;
3. While holding down power On/Off button, simultaneously press and hold HI-LO button until LED flashes the pair code 915.0MHz;
4. Turn on the receiver, signal indicator quick flashes 4 times, receiver is ready;
5. Turn off the microphone, then turn on again, pairing is completed.

# Karaoke USA

KARAOKE USA  
1185 GOODEN CROSSING  
LARGO, FL 33778 USA

TECH SUPPORT: [WWW.KARAOKEUSA.COM/CS](http://WWW.KARAOKEUSA.COM/CS)  
DOWNLOAD SONGS: [WWW.SINGTHEHITS.COM](http://WWW.SINGTHEHITS.COM)  
SALES DEPARTMENT: [SALES@KARAOKEUSA.COM](mailto:SALES@KARAOKEUSA.COM)

Printed in China